



Sydney  
 0416040076  
 mobileauto@bigpond.com  
 mobileautomotivesolutions.com.au

# Mobile Automotive Solutions PTY LTD

**Tax Invoice**

**Bill To:** Scout Fleet / Will Davies  
 kristine@carnextdoor.com.au, scoutfleetptyltd@gmail.com, will@carnextdoor.com.au

**Invoice No:** APP4456  
**Date:** 06/05/2024  
**Due Date:** 06/05/2024

**REGO:** SUM71U      **YEAR:** 2018  
**MAKE:** Hyundai      **ODO:** 109551  
**MODEL:** I30

Description	Quantity	Rate	Amount
5w30 Full syn engine oil	4	\$20.00	\$80.00
Oil filter	1	\$22.00	\$22.00
Workshop consumables, solvents, sundries and waste oil disposal.	1	\$15.00	\$15.00
Labour on service: -Check all the lights. -Clean the air filter, when can. -Check or top up fluids. -Adjustments where needed. -Tighten bolts where needed. -Check Tyre pressures. -Visual inspection. -Test drive.	1.25	\$118.18	\$147.73
Rear brake pads (supply and fit)	1	\$235.00	\$235.00

**Payment Details**

Mobile Automotive Solutions PTY LTD  
BSB: 032159 ACC: 376786

ABN: 35168714029

Subtotal	\$499.73
GST 10%	\$49.97
Total	\$549.70
PAID	\$0.00

---

Balance Due \$549.70

---

**Notes**

At the next service or sooner:  
Coolant flush.

ive put the spare wheel back to the left front. (it's a new tyre fitted already)  
The left front wheel was the spare tyre and its bold. this explains the TPMS light and the vibration.  
If the vibration continues, than the 2 front tyres need balancing.

The high beam light works perfectly. For permanent on function you have to push the stalk forward.

The car is really dirty inside and out. (See images)

The antenna stalk is missing, and the boot release switch is broken.

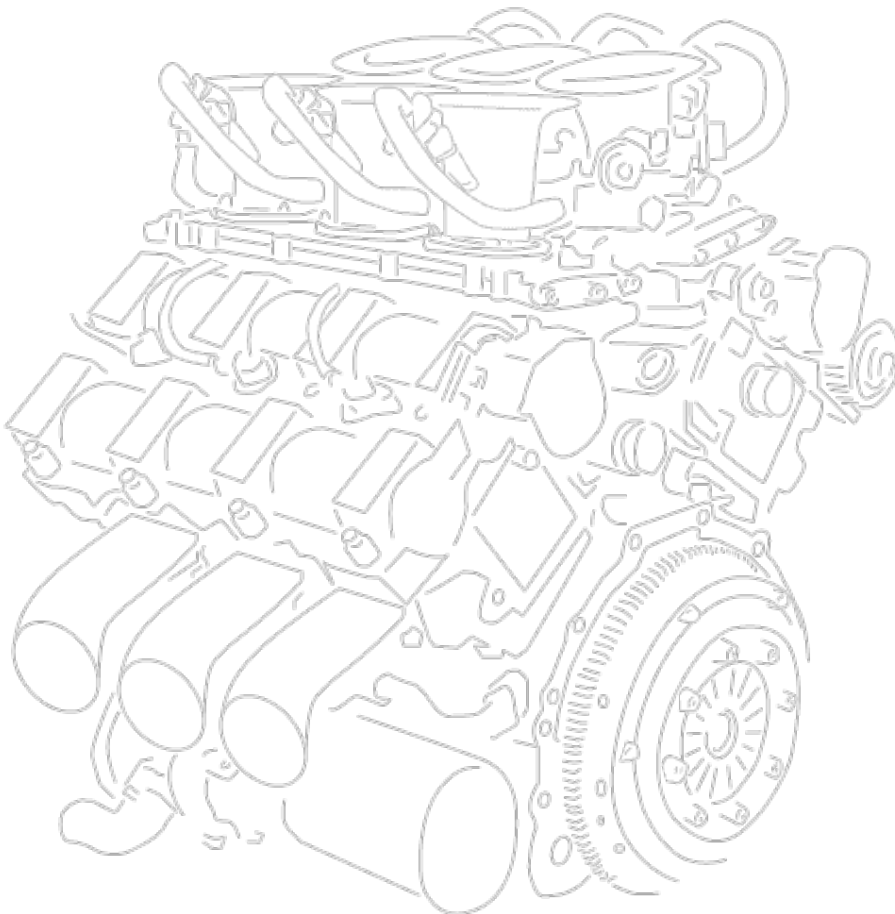


Photo 1

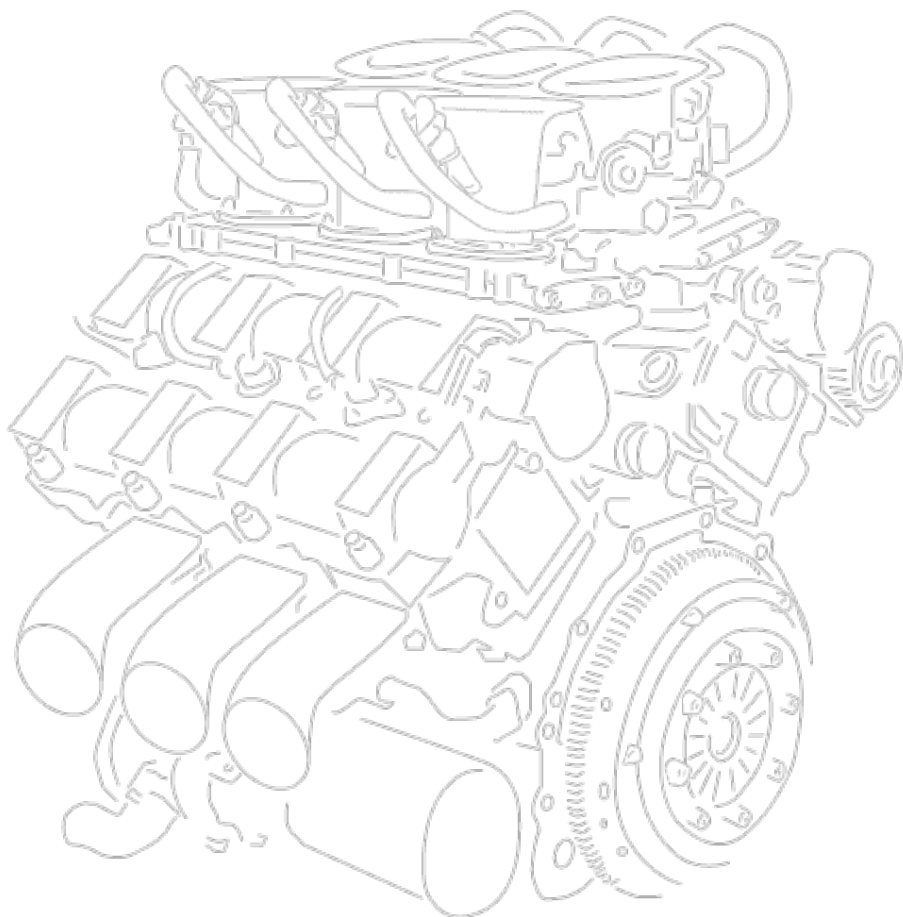


Photo 2

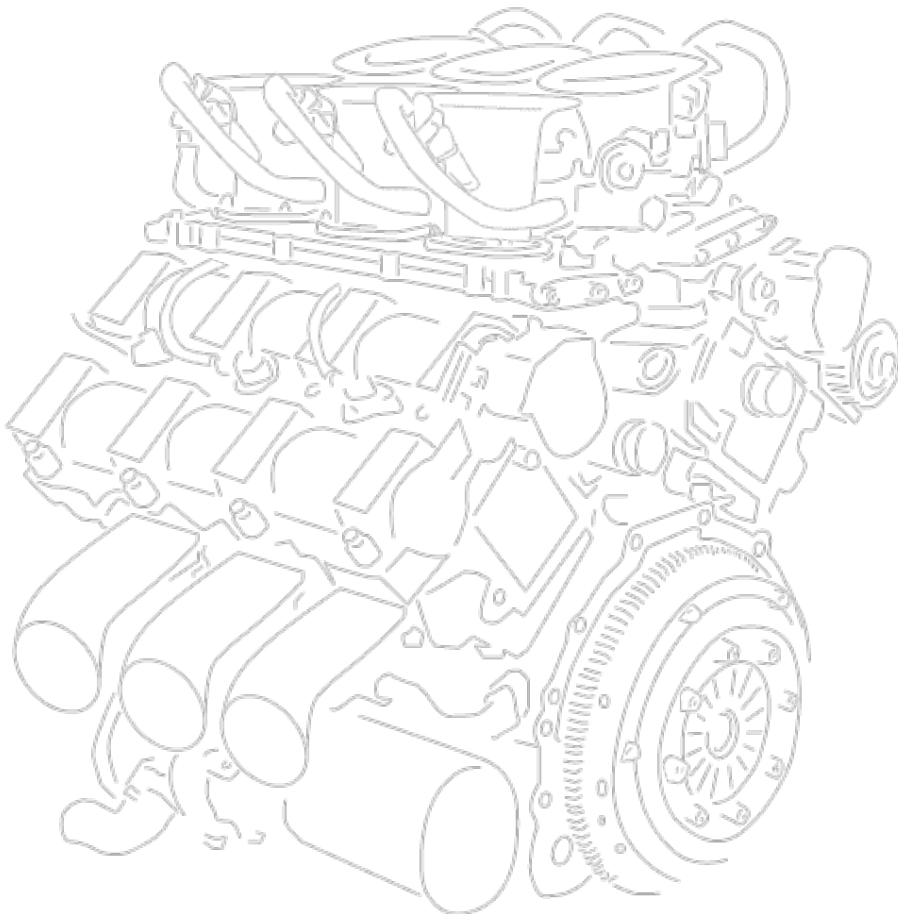


Photo 3

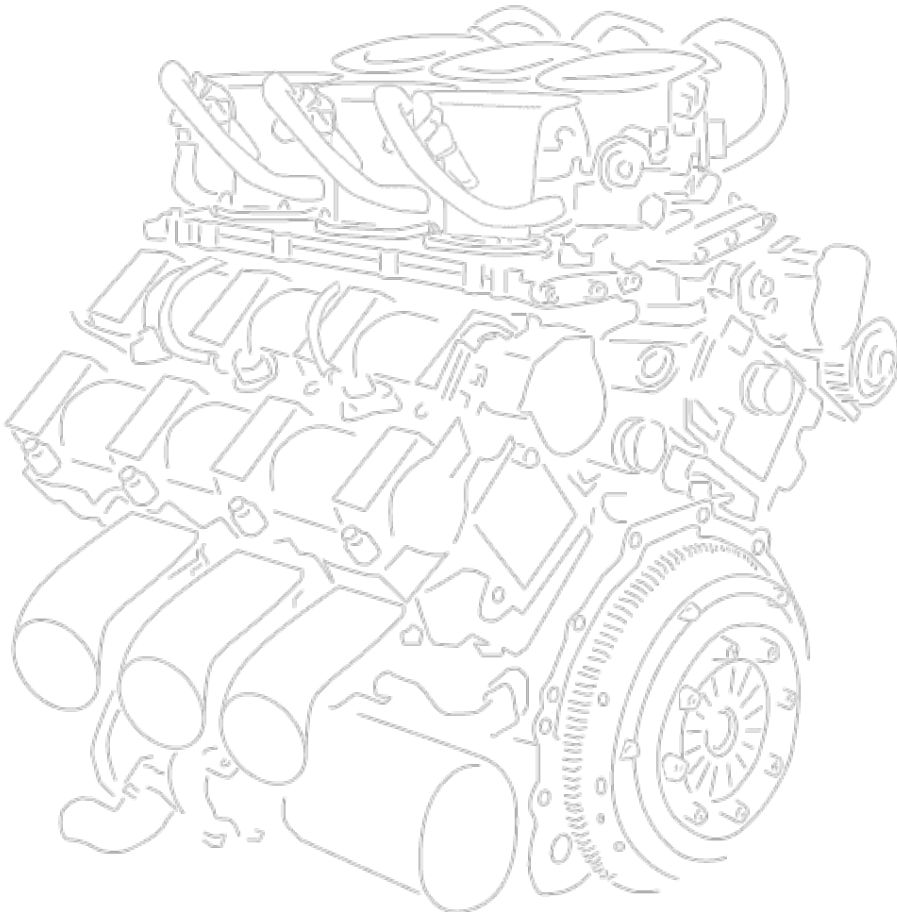


Photo 4

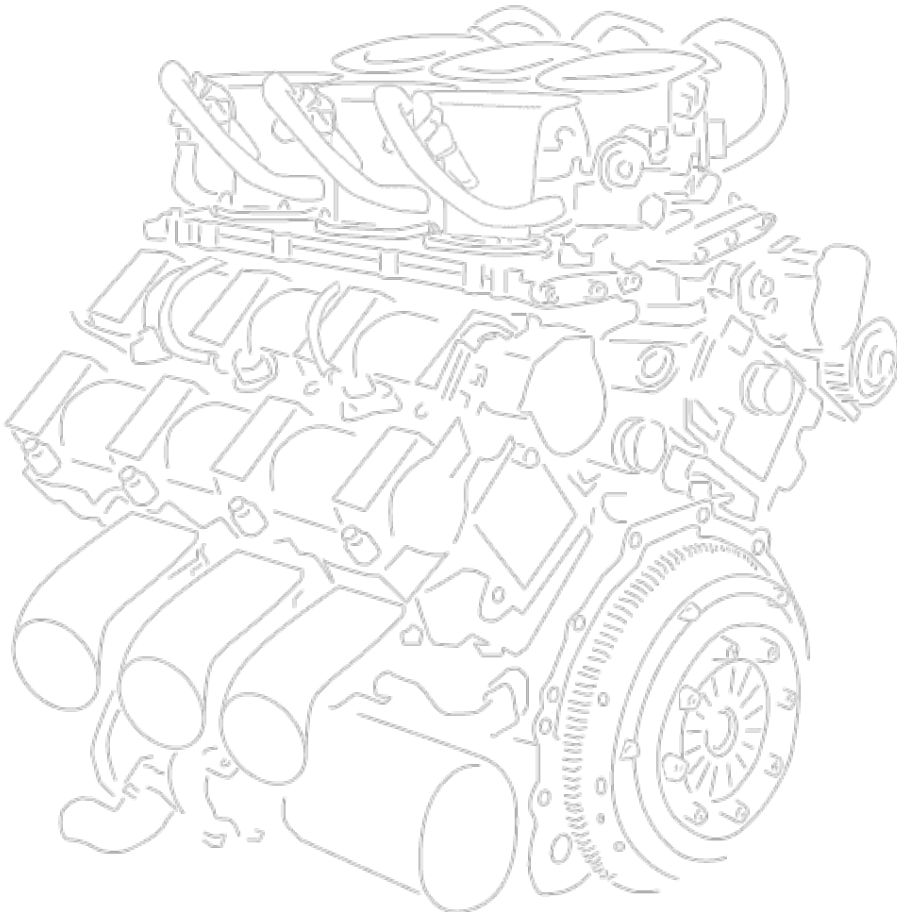


Photo 5

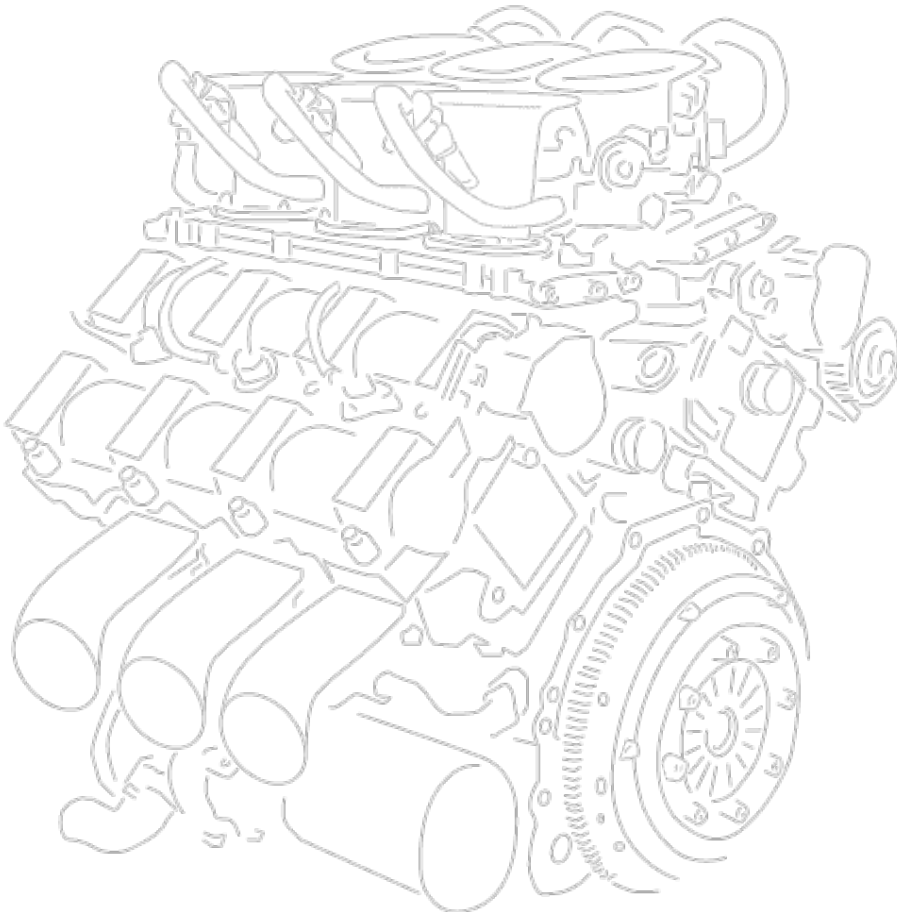


Photo 6

